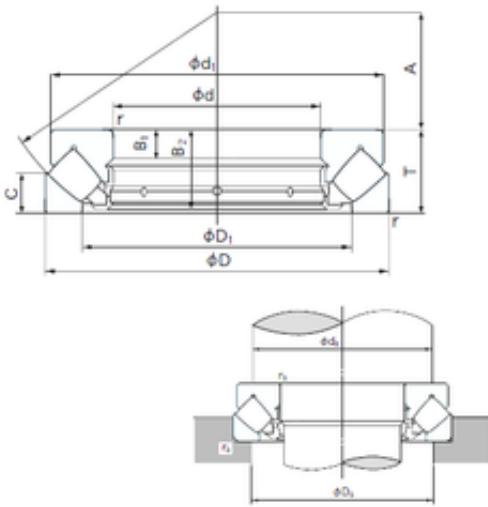




Huaxin Bearing Co., Ltd

280 mm x 380 mm x 19 mm NACHI 29256E thrust roller bearings

Bearing No. 29256E



29256E Bearing 2D drawings and 3D CAD models

| | |
|-------------------------------|---------------|
| Size | 280x380x60 mm |
| Bore Diameter | 280 mm |
| Outer Diameter | 380 mm |
| Width | 60 mm |
| d | 280 mm |
| D | 380 mm |
| T | 60 mm |
| d1 | 370 mm |
| r min. | 2.1 mm |
| A | 150 mm |
| B1 | 19 mm |
| B2 | 57 mm |
| C | 30 mm |
| D1 | 323 mm |
| da min. | 325 mm |
| Da max. | 345 mm |
| ra max. | 2 mm |
| Weight | 19.5 Kg |
| Basic dynamic load rating (C) | 935 kN |
| Basic static load rating (C0) | 4500 kN |
| Category | Bearings |
| Inventory | 0.0 |
| Manufacturer Name | NACHI |
| Minimum Buy Quantity | N/A |
| Weight / Kilogram | 0 |



Huaxin Bearing Co., Ltd

| | |
|-----------------------|------------------|
| Product Group | B04311 |
| Bore Type | Cylindrical Bore |
| Enclosure | Open |
| Configuration | Single Row |
| Bore Size | 280 mm |
| Outside Diameter | 380 mm |
| Fillet Radius/Chamfer | 2.1 mm |
| Width | 60 mm |
| Dynamic Load Rating | 935,000 N |
| Static Load Rating | 4,500,000 N |
| Limiting Speed - Oil | 1,200 rpm |
| B | 19 mm |
| da (min) | 325 mm |
| Da (max) | 345 mm |
| ra (max) | 2 mm |