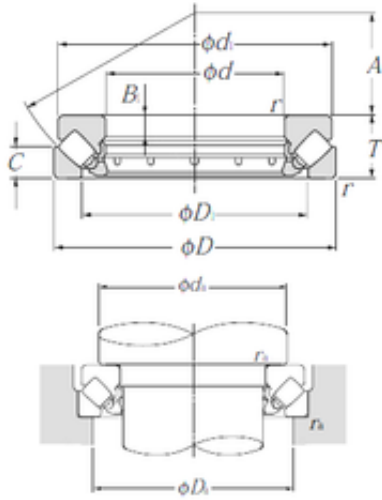




Huaxin Bearing Co., Ltd



NTN 29368 thrust roller bearings

Bearing No. 29368

Size	340x540x122 mm
Bore Diameter	340 mm
Outer Diameter	540 mm
Width	122 mm
d	340 mm
D	540 mm
T	122 mm
B1	41 mm
C	59 mm
d1	520 mm
r min.	5 mm
A	192 mm
D1	428 mm
da min.	430 mm
Da max.	470 mm
ra max.	4 mm
Weight	107 Kg
Basic dynamic load rating (C)	2 650 kN
Basic static load rating (C0)	10 700 kN

29368 Bearing 2D drawings and 3D CAD models