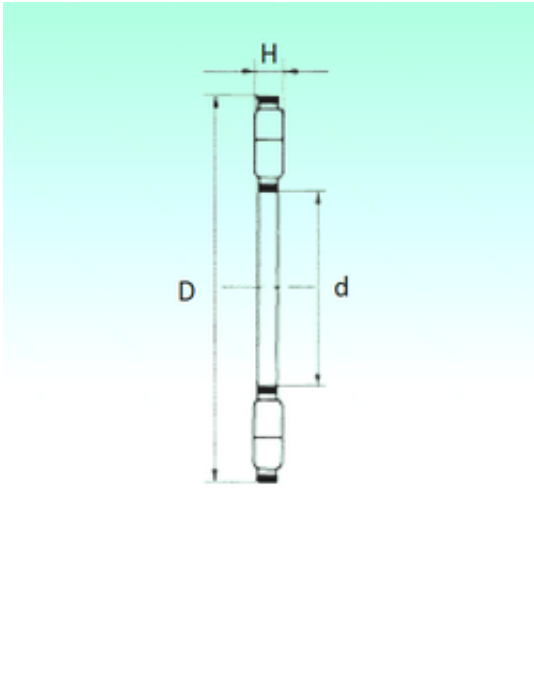




Huaxin Bearing Co., Ltd



K89424-M Bearing 2D drawings and 3D CAD models

NBS K89424-M thrust roller bearings

Bearing No. K89424-M

Bore Diameter	120 mm
Outer Diameter	250 mm
d	120 mm
D	250 mm
Dw	26 mm
Weight	4,3 Kg
Basic dynamic load rating (C)	1159,5 kN
Basic static load rating (C0)	3987,9 kN