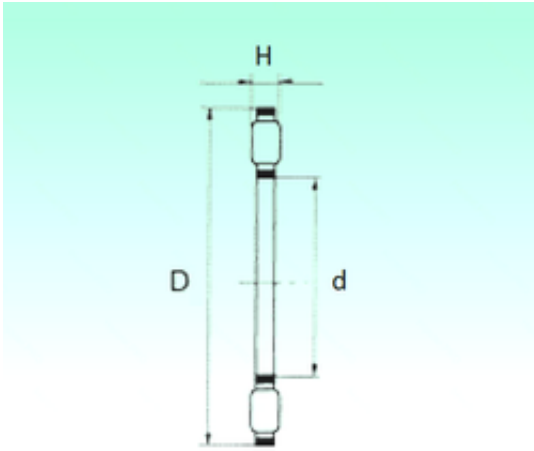




Huaxin Bearing Co., Ltd



NBS K81207TN thrust roller bearings

Bearing No. K81207TN

Bore Diameter	35 mm
Outer Diameter	62 mm
d	35 mm
D	62 mm
Dw	7,5 mm
Weight	0,043 Kg
Basic dynamic load rating (C)	79,8 kN
Basic static load rating (C0)	198,1 kN

K81207TN Bearing 2D drawings and 3D CAD models