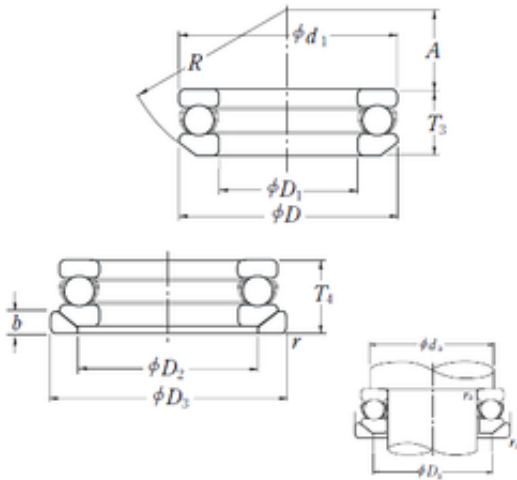




Huaxin Bearing Co., Ltd

NSK 53406U thrust ball bearings

Bearing No. 53406U



53406U Bearing 2D drawings and 3D CAD models

Size	30x70x33 mm
Bore Diameter	30 mm
Outer Diameter	70 mm
Width	33 mm
d	30 mm
D	70 mm
T	33 mm
b	9 mm
d1	70 mm
r min.	1 mm
A	20 mm
D1	32 mm
D2	50 mm
D3	75 mm
R	56 mm
da min.	54 mm
Da max.	46 mm
ra max.	1 mm
Weight	0,666 Kg
Basic dynamic load rating (C)	73 kN
Basic static load rating (C0)	126 kN
(Grease) Lubrication Speed	2200 r/min
SRI	7.7
hidYobi	53406U
LangID	1
D_	70



Huaxin Bearing Co., Ltd

SREX	0.065
C	73
B_	33
hidTable	ecat_NSSDTB
Oil rpm	3400
SRE	7.7
mass	0.666
GRS rpm	2200
ra	1
SRIX	0.065
T4	33
D_3	75
D_a	46
SRIN	0
C0	126
D_2	50
SREN	0
D_1	32
Prod_Type3	TB_SD_WASW
da	54
DA_	14.288
Z_	10
yobi	53406U
A_	20
T3	30.1
SDM_	50
r	1
KBRG	5131
R_	56