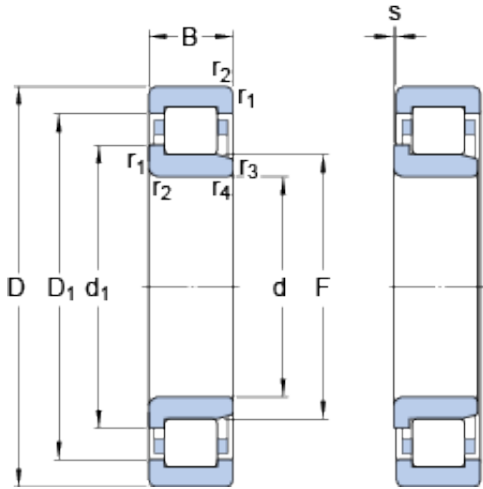




Huaxin Bearing Co., Ltd



160 mm x 290 mm x 48 mm SKF NJ 232 ECM thrust ball bearings

Bearing No. NJ 232 ECM

Size	290x160x48 mm
Bore Diameter	290 mm
Outer Diameter	160 mm
Width	48 mm
d	160 mm
D	290 mm
B	48 mm
d ₁	206 mm
D ₁	248.6 mm
F	195 mm
r _{1,2} - min.	3 mm
r _{3,4} - min.	3 mm
s	2.7 mm
d _a - min.	175 mm
d _a - max.	191 mm
d _b - min.	210 mm
D _a - max.	274.2 mm
r _a - max.	2.5 mm
Basic dynamic load rating - C	585 kN
Basic static load rating - C ₀	680 kN
Fatigue load limit - P _u	72 kN
Reference speed	2400 r/min
Limiting speed	2600 r/min
Calculation factor - k _r	0.15

NJ 232 ECM Bearing 2D drawings and 3D CAD models



Huaxin Bearing Co., Ltd

d_1	206 mm
D_1	248.6 mm
$r_{1,2}$ min.	3 mm
$r_{3,4}$ min.	3 mm
s max.	2.7 mm
d_a min.	175 mm
d_a max.	191 mm
d_b min.	210 mm
D_a max.	274.2 mm
r_a max.	2.5 mm
Basic dynamic load rating C	585 kN
Basic static load rating C_0	680 kN
Fatigue load limit P_u	72 kN
Calculation factor k_r	0.15
Limiting value e	0.2
Axial load factor Y	0.6
Mass bearing	14.5 kg