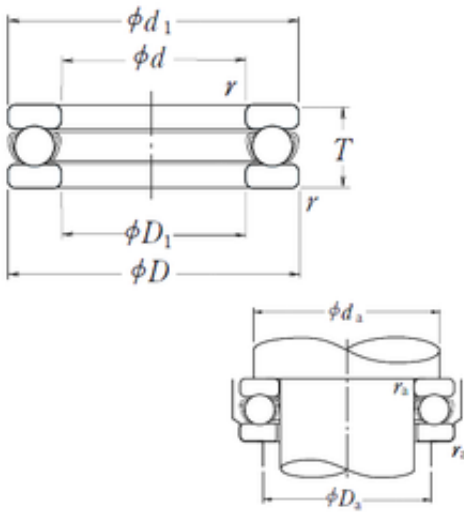




Huaxin Bearing Co., Ltd



51340X Bearing 2D drawings and 3D CAD models

NSK 51340X thrust ball bearings

Bearing No. 51340X

Size	200x340x110 mm
Bore Diameter	200 mm
Outer Diameter	340 mm
Width	110 mm
d	200 mm
D	340 mm
T	110 mm
d1	335 mm
r min.	4 mm
D1	205 mm
da min.	282 mm
Da max.	258 mm
ra max.	3 mm
Weight	43,6 Kg
Basic dynamic load rating (C)	600 kN
Basic static load rating (C0)	2220 kN
(Grease) Lubrication Speed	480 r/min
SRI	27.43
hidYobi	51340X
LangID	1
D_	340
SREX	0.21
C	600
B_	110
hidTable	ecat_NSSDTB
Oil rpm	710



Huaxin Bearing Co., Ltd

SRE	27.43
mass	43.6
GRS rpm	480
ra	3
SRIX	0
D_a	258
SRIN	0
C0	2220
SREN	0
D_1	205
Prod_Type3	TB_SD_WFS
da	282
DA_	50.8
Z_	14
yobi	51340X
SDM_	270
r	4
T_	110
KBRG	511