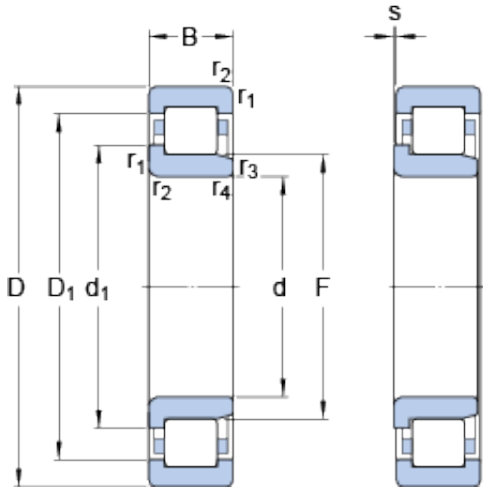




# Huaxin Bearing Co., Ltd



## 100 mm x 215 mm x 47 mm SKF NJ 320 ECML thrust ball bearings

Bearing No. NJ 320 ECML

NJ 320 ECML Bearing 2D drawings and 3D CAD models

Size	215x100x47 mm
Bore Diameter	215 mm
Outer Diameter	100 mm
Width	47 mm
d	100 mm
D	215 mm
B	47 mm
d <sub>1</sub>	139 mm
D <sub>1</sub>	181.95 mm
F	127.5 mm
r <sub>1,2</sub> - min.	3 mm
r <sub>3,4</sub> - min.	3 mm
s	2.9 mm
d <sub>a</sub> - min.	114 mm
d <sub>a</sub> - max.	124 mm
d <sub>b</sub> - min.	142 mm
D <sub>a</sub> - max.	199.6 mm
r <sub>a</sub> - max.	2.5 mm
Basic dynamic load rating - C	450 kN
Basic static load rating - C <sub>0</sub>	440 kN
Fatigue load limit - P <sub>u</sub>	51 kN
Reference speed	3200 r/min
Limiting speed	6000 r/min
Calculation factor - k <sub>r</sub>	0.23



## Huaxin Bearing Co., Ltd

$d_1$	139 mm
$D_1$	181.95 mm
$r_{1,2}$ min.	3 mm
$r_{3,4}$ min.	3 mm
s max.	2.9 mm
$d_a$ min.	114 mm
$d_a$ max.	124 mm
$d_b$ min.	142 mm
$D_a$ max.	199.6 mm
$r_a$ max.	2.5 mm
Basic dynamic load rating C	450 kN
Basic static load rating $C_0$	440 kN
Fatigue load limit $P_u$	51 kN
Calculation factor $k_r$	0.23
Limiting value e	0.2
Axial load factor Y	0.6
Mass bearing	8.69 kg