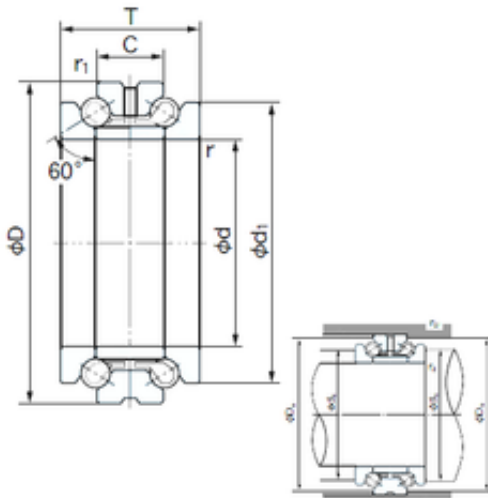




# Huaxin Bearing Co., Ltd

## NACHI 50TAD20 thrust ball bearings

Bearing No. 50TAD20



50TAD20 Bearing 2D drawings and 3D CAD models

Size	50x80x38 mm
Bore Diameter	50 mm
Outer Diameter	80 mm
Width	38 mm
d	50 mm
D	80 mm
T	38 mm
ra1 max.	0.6 mm
Angle ( ° )	60 °
d1	70 mm
r min.	1 mm
r1 min.	0.6 mm
C	19 mm
da min.	61 mm
Da max.	76 mm
ra max.	1 mm
Weight	0.656 Kg
Basic dynamic load rating (C)	22 kN
Basic static load rating (C0)	52 kN
(Grease) Lubrication Speed	5000 r/min