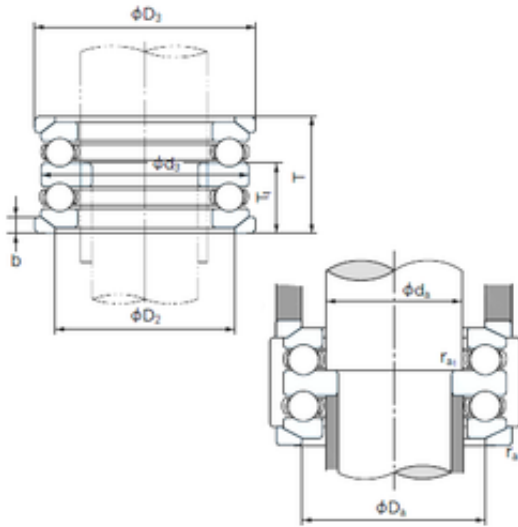




Huaxin Bearing Co., Ltd



54244U Bearing 2D drawings and 3D CAD models

NACHI 54244U thrust ball bearings

Bearing No. 54244U

Size	220x300x134 mm
Bore Diameter	220 mm
Outer Diameter	300 mm
Width	134 mm
d	220 mm
d2	190 mm
D	300 mm
T	134 mm
ra1 max.	2 mm
T1	79 mm
a	24 mm
b	25 mm
d3	299 mm
r min.	2 mm
r1 min.	2 mm
D1	224 mm
D2	260 mm
D3	310 mm
da min.	220 mm
Da max.	260 mm
ra max.	2 mm
Weight	29.6 Kg
Basic dynamic load rating (C)	325 kN
Basic static load rating (C0)	1210 kN
(Grease) Lubrication Speed	690 r/min