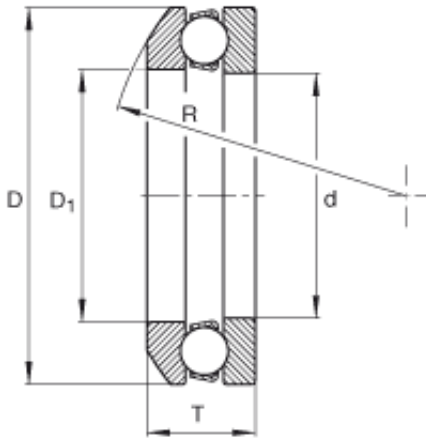




# Huaxin Bearing Co., Ltd

## INA 503 thrust ball bearings

Bearing No. 503



503 Bearing 2D drawings and 3D CAD models

Size	17x37x20 mm
Bore Diameter	17 mm
Outer Diameter	37 mm
Width	20 mm
d	0,669 inch
d	17 mm
D	1,457 inch
D	37 mm
T	0,787 inch
T	20 mm
D <sub>1</sub>	0,749 inch
D <sub>1</sub>	19 mm
R	35 mm
m	0,24 lbs / Weight
m	0,109 kg / Weight
C <sub>a</sub>	7190 lbf / Dynamic load rating (axial)
C <sub>a</sub>	32000 N / Dynamic load rating (axial)
C <sub>0a</sub>	10000 lbf / Static load rating (axial)
C <sub>0a</sub>	44500 N / Static load rating (axial)