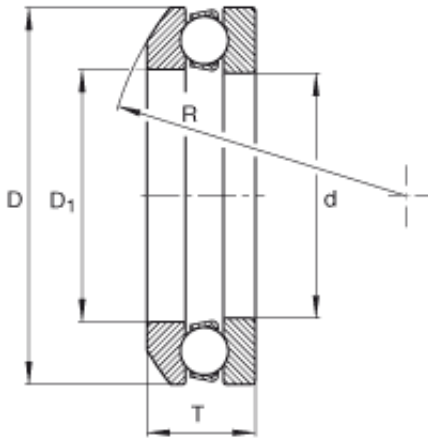




Huaxin Bearing Co., Ltd

INA 4100 thrust ball bearings

Bearing No. 4100



4100 Bearing 2D drawings and 3D CAD models

Size	10x25x14 mm
Bore Diameter	10 mm
Outer Diameter	25 mm
Width	14 mm
d	0,394 inch
d	10 mm
D	0,984 inch
D	25 mm
T	0,556 inch
T	14 mm
D ₁	0,472 inch
R	25 mm
m	0,079 lbs / Weight
m	0,036 kg / Weight
C _a	2650 lbf / Dynamic load rating (axial)
C _a	11800 N / Dynamic load rating (axial)
C _{0a}	3390 lbf / Static load rating (axial)
C _{0a}	15100 N / Static load rating (axial)