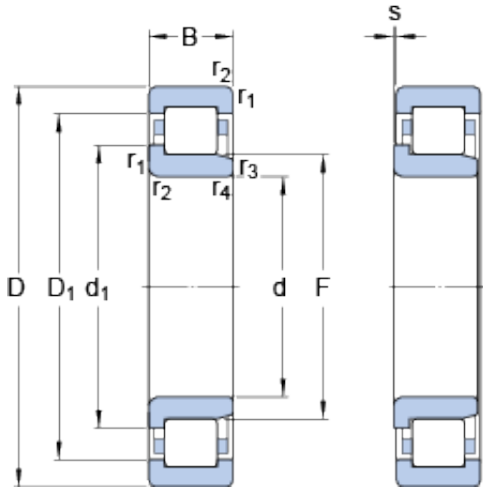




Huaxin Bearing Co., Ltd



95 mm x 170 mm x 43 mm SKF NJ 2219 ECP thrust ball bearings

Bearing No. NJ 2219 ECP

Size	170x95x43 mm
Bore Diameter	170 mm
Outer Diameter	95 mm
Width	43 mm
d	95 mm
D	170 mm
B	43 mm
d ₁	120 mm
D ₁	147.4 mm
F	112.5 mm
r _{1,2} - min.	2.1 mm
r _{3,4} - min.	2.1 mm
s	3 mm
d _a - min.	107 mm
d _a - max.	110 mm
d _b - min.	123 mm
D _a - max.	157.8 mm
r _a - max.	2 mm
Basic dynamic load rating - C	325 kN
Basic static load rating - C ₀	375 kN
Fatigue load limit - P _u	45.5 kN
Reference speed	4300 r/min
Limiting speed	4800 r/min
Calculation factor - k _r	0.2

NJ 2219 ECP Bearing 2D drawings and 3D CAD models



Huaxin Bearing Co., Ltd

Category	Cylindrical Roller Bearings
Inventory	0.0
Manufacturer Name	SKF
Minimum Buy Quantity	N/A
Weight / Kilogram	4.002
Product Group	B04144
Bore Profile	Straight
Cage Material	Polymer
Precision Class	RBEC 1 ISO P0
Number of Rows of Rollers	Single Row
Separable	Inner Ring - One Side
Rolling Element	Cylindrical Roller Bearing
Profile	Complete with Outer and Inner Ring
Snap Ring	No
Internal Clearance	C0-Medium
Retainer	Yes
Relubricatable	Yes
Inch - Metric	Metric
Other Features	High Capacity 1 Rib Inner Ring 2 Rib Outer Ring Cage on Outer Ring ID
Long Description	95MM Bore; Straight Bore Profile; 170MM Outside Diameter; 43MM Width; Polymer Cage Material; RBEC 1 ISO P0; Single Row; Inner Ring - One Side Separable; No Snap Ring; Relubricatable; C0-Medium Inte
Category	Cylindrical Roller Bearing
UNSPSC	31171547
Harmonized Tariff Code	8482.50.00.00
Noun	Bearing
Manufacturer URL	http://www.skf.com



Huaxin Bearing Co., Ltd

Manufacturer Item Number	NJ 2219 ECP
Weight / LBS	8.814
Width	1.693 Inch 43 Millimeter
Outside Diameter	6.693 Inch 170 Millimeter
Bore	3.74 Inch 95 Millimeter
bore diameter:	95 mm
precision rating:	RBEC 1 (ISO Class Normal)
outside diameter:	170 mm
maximum rpm:	4800 RPM
overall width:	43 mm
bearing material:	Steel
flanges:	(2) Outer Ring, (1) Inner Ring
cage material:	Polyamide
bore type:	Straight
finish/coating:	Uncoated
number of rows:	1
closure type:	Open
internal clearance:	C0
application:	Piston Type Machines, Rolling Mills, Spindles/Machine Tools
ring separation:	Separable Ring
outer ring width:	43 mm
operating temperature range:	Maximum of +300 ° F
fillet radius:	2 mm
dynamic load capacity:	325 kN
series:	NJ22
static load capacity:	375 kN
d ₁	120 mm
D ₁	147.4 mm
r _{1,2} min.	2.1 mm



Huaxin Bearing Co., Ltd

$r_{3,4}$ min.	2.1 mm
s max.	3 mm
d_a min.	107 mm
d_a max.	110 mm
d_b min.	123 mm
D_a max.	157.8 mm
r_a max.	2 mm
Basic dynamic load rating C	325 kN
Basic static load rating C_0	375 kN
Fatigue load limit P_u	45.5 kN
Calculation factor k_r	0.2
Limiting value e	0.3
Axial load factor Y	0.4
Mass bearing	3.93 kg