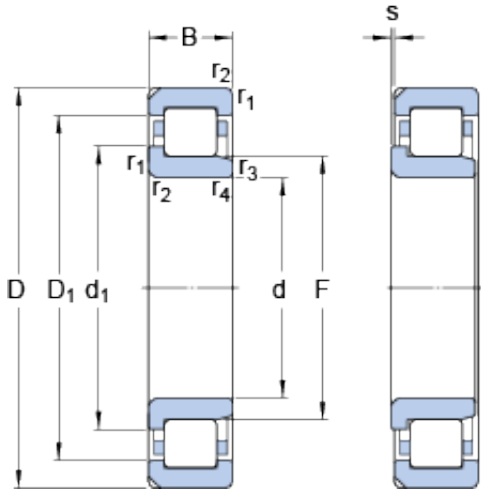




Huaxin Bearing Co., Ltd



75 mm x 160 mm x 55 mm SKF NJ 2315 ECN2ML thrust ball bearings

Bearing No. NJ 2315 ECN2ML

NJ 2315 ECN2ML Bearing 2D drawings and 3D CAD models

Size	160x75x55 mm
Bore Diameter	160 mm
Outer Diameter	75 mm
Width	55 mm
d	75 mm
D	160 mm
B	55 mm
d ₁	104 mm
D ₁	135.75 mm
F	95 mm
r _{1,2} - min.	2.1 mm
r _{3,4} - min.	2.1 mm
s	4.8 mm
d _a - min.	87 mm
d _a - max.	92 mm
d _b - min.	107 mm
D _a - max.	148 mm
r _a - max.	2 mm
Basic dynamic load rating - C	380 kN
Basic static load rating - C ₀	400 kN
Fatigue load limit - P _u	50 kN
Reference speed	4500 r/min
Limiting speed	5300 r/min
Calculation factor - k _r	0.38



Huaxin Bearing Co., Ltd

d_1	104 mm
D_1	135.75 mm
b_1	6.5 mm
h	8.1 mm
$r_{1,2}$ min.	2.1 mm
$r_{3,4}$ min.	2.1 mm
s max.	4.8 mm
d_a min.	87 mm
d_a max.	92 mm
d_b min.	107 mm
D_a max.	148 mm
r_a max.	2 mm
Basic dynamic load rating C	380 kN
Basic static load rating C_0	400 kN
Fatigue load limit P_u	50 kN
Calculation factor k_r	0.38
Limiting value e	0.3
Axial load factor Y	0.4
Mass bearing	5.54 kg