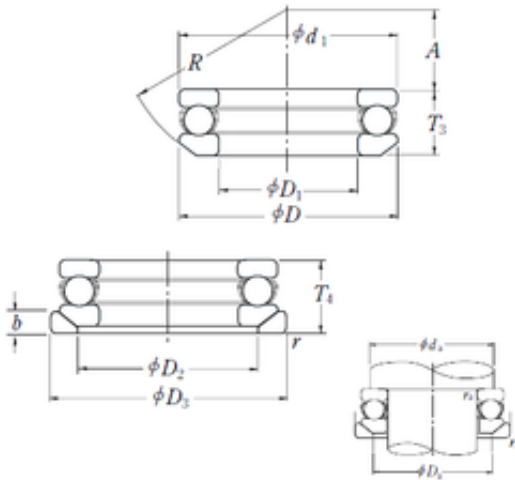




Huaxin Bearing Co., Ltd

NSK 53413U thrust ball bearings

Bearing No. 53413U



53413U Bearing 2D drawings and 3D CAD models

Size	65x140x65 mm
Bore Diameter	65 mm
Outer Diameter	140 mm
Width	65 mm
d	65 mm
D	140 mm
T	65 mm
b	17,5 mm
d1	140 mm
r min.	2 mm
A	40 mm
D1	68 mm
D2	100 mm
D3	145 mm
R	112 mm
da min.	110 mm
Da max.	95 mm
ra max.	2 mm
Weight	5,13 Kg
Basic dynamic load rating (C)	234 kN
Basic static load rating (C0)	495 kN
(Grease) Lubrication Speed	1100 r/min
SRI	14.5
hidYobi	53413U
LangID	1
D_	140



Huaxin Bearing Co., Ltd

SREX	0.1
C	234
B_	65
hidTable	ecat_NSSDTB
Oil rpm	1700
SRE	14.5
mass	5.13
GRS rpm	1100
ra	2
SRIX	0.1
T4	65
D_3	145
D_a	95
SRIN	0
C0	495
D_2	100
SREN	0
D_1	68
Prod_Type3	TB_SD_WASW
da	110
DA_	26.988
Z_	11
yobi	53413U
A_	40
T3	60.2
SDM_	102.5
r	2
KBRG	5131
R_	112