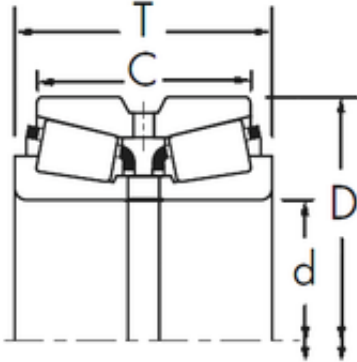




Huaxin Bearing Co., Ltd

Timken 28150/28318D+X4S-28150 tapered roller bearings

Bearing No. 28150/28318D+X4S-28150



28150/28318D+X4S-28150 Bearing 2D drawings and 3D CAD models

Size	38.1x80.035x46.04 mm
Bore Diameter	38,1 mm
Outer Diameter	80,035 mm
Width	46,04 mm
d	38,1 mm
D	80,035 mm
T	46,04 mm
C	34,925 mm
R	1,5 mm
r	0,8 mm