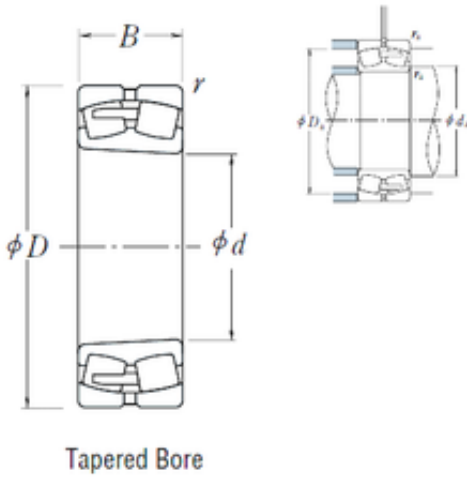




Huaxin Bearing Co., Ltd



380 mm x 620 mm x 243 mm NSK 24176CAK30E4 spherical roller bearings

Bearing No. 24176CAK30E4

Size	380x620x243 mm
Bore Diameter	380 mm
Outer Diameter	620 mm
Width	243 mm
d	380 mm
D	620 mm
B	243 mm
C	243 mm
r min.	5 mm
da min.	402 mm
Da min	529 mm
Da max.	598 mm
ra max.	4 mm
Weight	275 Kg
Basic dynamic load rating (C)	4350 kN
Basic static load rating (C0)	8450 kN
(Grease) Lubrication Speed	400 r/min
(Oil) Lubrication Speed	500 r/min
Calculation factor (e)	0,38
Calculation factor (Y0)	1,7
Calculation factor (Y2)	2,6

24176CAK30E4 Bearing 2D drawings and 3D CAD models