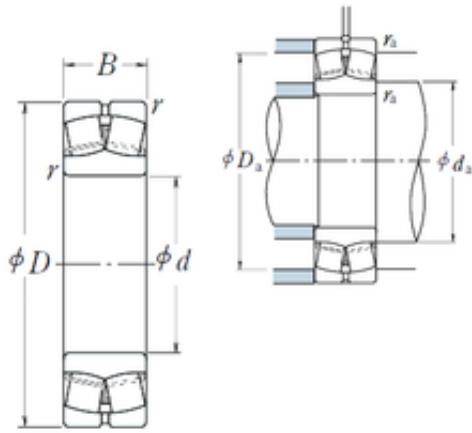




# Huaxin Bearing Co., Ltd



## 75 mm x 130 mm x 31 mm NSK 22215EAE4 spherical roller bearings

Bearing No. 22215EAE4

22215EAE4 Bearing 2D drawings and 3D CAD models

|                               |                           |
|-------------------------------|---------------------------|
| Size                          | 75x130x31 mm              |
| Bore Diameter                 | 75 mm                     |
| Outer Diameter                | 130 mm                    |
| Width                         | 31 mm                     |
| d                             | 75 mm                     |
| D                             | 130 mm                    |
| B                             | 31 mm                     |
| C                             | 31 mm                     |
| r min.                        | 1,5 mm                    |
| da min.                       | 84 mm                     |
| da max                        | 87 mm                     |
| Da min                        | 117 mm                    |
| Da max.                       | 121 mm                    |
| ra max.                       | 1,5 mm                    |
| Weight                        | 1,64 Kg                   |
| Basic dynamic load rating (C) | 190 kN                    |
| Basic static load rating (C0) | 244 kN                    |
| (Grease) Lubrication Speed    | 3400 r/min                |
| (Oil) Lubrication Speed       | 4300 r/min                |
| Calculation factor (e)        | 0,22                      |
| Calculation factor (Y0)       | 3                         |
| Calculation factor (Y2)       | 4,5                       |
| Category                      | Spherical Roller Bearings |
| Inventory                     | 0.0                       |
| Manufacturer Name             | NSK                       |



## Huaxin Bearing Co., Ltd

|                           |   |
|---------------------------|---|
| Minimum Buy Quantity      | N/A   |
| Weight / Kilogram         | 1.62  |
| Product Group             | B04311  |
| Internal Clearance        | C0-Medium   |
| Mounting Method           | Shaft Mount   |
| Rolling Element           | Spherical Roller Bearing  |
| Bore Profile              | Straight  |
| Cage Material             | Steel   |
| Enclosure                 | Open  |
| Number of Rows of Rollers | Double Row  |
| Relubricatable            | Yes   |
| Withdrawal Sleeve         | Not Applicable  |
| Inch - Metric             | Metric  |
| Long Description          | 75MM Straight Bore;<br>130MM Outside Diameter;<br>31MM Width; C0-Medium<br>Clearance; Shaft Mount;<br>Double Row of Spherical<br>Roller Bearings; Steel Cage<br>Material; Open Enclosure;<br>Relubricatable |
| Category                  | Spherical Roller Bearing  |
| UNSPSC                    | 31171510  |
| Harmonized Tariff Code    | 84823080  |
| Noun                      | Bearing   |
| Keyword String            | Spherical   |
| Manufacturer URL          | <a href="http://www.nskamericas.com">http://www.nskamericas.com</a>   |
| Manufacturer Item Number  | 22215EAE4   |
| Weight / LBS              | 1.62  |
| Adapter Part Number       | Not Applicable Inch   Not<br>Applicable Millimeter  |
| Bore                      | 2.953 Inch   75 Millimeter  |
| Outside Diameter          | 5.118 Inch   130 Millimeter   |
| Width                     | 1.22 Inch   31 Millimeter   |



## Huaxin Bearing Co., Ltd

|                              |                           |
|------------------------------|---------------------------|
| bore diameter:               | 75 mm                     |
| maximum rpm:                 | 5000 RPM                  |
| outside diameter:            | 130 mm                    |
| operating temperature range: | Maximum of +200 ° C       |
| overall width:               | 31 mm                     |
| cage material:               | Steel                     |
| bore type:                   | Straight                  |
| bearing material:            | Steel                     |
| outer ring type:             | Not Split                 |
| cage type:                   | Roller Guided             |
| internal clearance:          | C0                        |
| precision rating:            | RBEC 1 (ISO Class Normal) |
| closure type:                | Open                      |
| finish/coating:              | Uncoated                  |
| lubrication hole type:       | Lubrication Groove & Hole |
| outer ring width:            | 31 mm                     |
| dynamic load capacity:       | 238000 N                  |
| fillet radius:               | 1.5 mm                    |
| static load capacity:        | 244000 N                  |
| series:                      | 222                       |
| Y3                           | 3                         |
| hidYobi                      | 22215EAE4                 |
| LangID                       | 1                         |
| Y1                           | 3                         |
| D_                           | 130                       |
| Y2                           | 4.5                       |
| Macha rpm                    | 6700                      |
| B_                           | 31                        |
| da min                       | 84                        |
| hidTable                     | ecat_NSSPHR               |
| Oil rpm                      | 5000                      |



## Huaxin Bearing Co., Ltd

|            |            |
|------------|------------|
| Y0         | 3          |
| mass       | 1.64       |
| GRS rpm    | 4000       |
| ra         | 1.5        |
| TSR rpm    | 4300       |
| C0         | 244        |
| DE_        | 118.702    |
| X0         | 1          |
| Prod_Type3 | SRB_CTB_CB |
| X1         | 1          |
| X2         | 0.67       |
| SIR        | 12.15      |
| e          | 0.22       |
| DA_        | 14.9       |
| bomp       | 22215EAE4  |
| Z_         | 20         |
| ALP2       | 26         |
| ALP1       | 8          |
| ALP3       | 0          |
| D_a max    | 121        |
| D_a min    | 117        |
| yobi       | 22215EAE4  |
| HPS        | HPS        |
| ALPHA_     | 0.147      |
| SDM_       | 103.964    |
| r          | 1.5        |
| KBRG       | 2328       |
| SBRG       | 22         |
| DI_        | 89.225     |