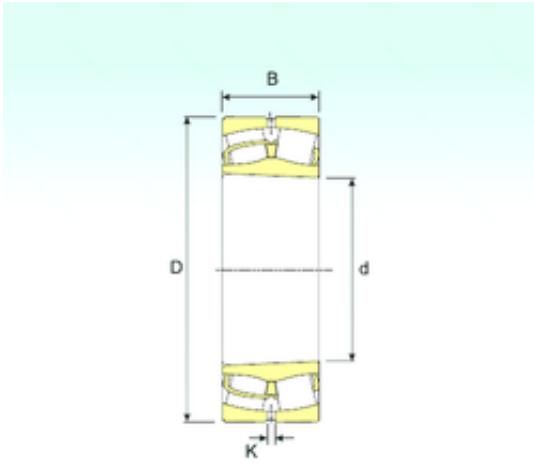




Huaxin Bearing Co., Ltd



24022 K30 Bearing 2D drawings and 3D CAD models

110 mm x 170 mm x 60 mm ISB 24022 K30
spherical roller bearings

Bearing No. 24022 K30

Size	110x170x60 mm
Bore Diameter	110 mm
Outer Diameter	170 mm
Width	60 mm
d	110 mm
D	170 mm
B	60 mm
C	60 mm
K	3 mm
Weight	5 Kg
Basic dynamic load rating (C)	407 kN
Basic static load rating (C0)	608 kN
(Grease) Lubrication Speed	2754 r/min