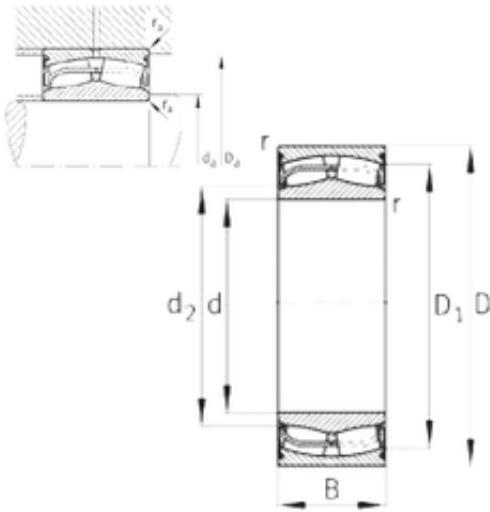




Huaxin Bearing Co., Ltd

150 mm x 225 mm x 75 mm FAG 24030-E1-2VSR-H40 spherical roller bearings



Bearing No. 24030-E1-2VSR-H40

Size	150x225x75 mm
Bore Diameter	150 mm
Outer Diameter	225 mm
Width	75 mm
d	150 mm
D	225 mm
B	75 mm
C	75 mm
d2	164 mm
r min.	2,1 mm
D1	213,2 mm
da min.	160 mm
Da max.	215 mm
ra max.	2,1 mm
Weight	11,1 Kg
Basic dynamic load rating (C)	680 kN
Basic static load rating (C0)	1090 kN
Fatigue load limit (Pu)	123
Limiting speed	690 r/min
Calculation factor (e)	0,29
Calculation factor (Y0)	2,26
Calculation factor (Y1)	2,32

24030-E1-2VSR-H40 Bearing 2D drawings and 3D CAD models