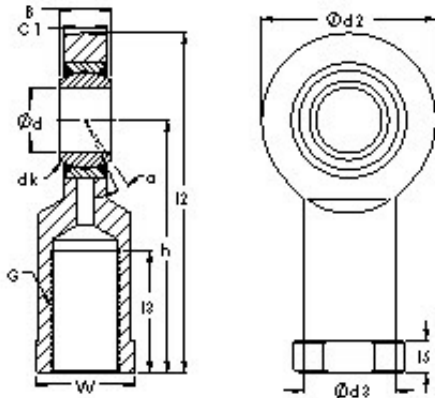




Huaxin Bearing Co., Ltd



AST SIJK22C plain bearings

Bearing No. SIJK22C

Bore Diameter	22 mm
Width	28 mm
Bearing Type - steel-on-PTFE composite	steel on PTFE composite
Bore Dia (d)	22.0000
Width (B)	28.0000
Radius (min) (rs)	0.600
Dynamic Load Rating (Cr)	42,000
Static Load Rating (Cor)	50,000
Spherical Diameter (dk or Dk)	38.100
Mis-alignment Angle (a deg.)	14
Thread Length (l1)	33.000
Bore Center to End of Rod (h)	84.000
Rod Overall Length (l2)	112.000
Rod End Thickness (C1)	21.000
Bore Center to Body (l7)	28
Thread Size (G)	M22 X 1.5
Rod End Width (d2)	56.000
Body Dia. (d3)	30.000
Body End Dia. (d4)	37.000
Body End Width (l5)	12.000
Body End Flats (W)	34.000
Weight (g)	610.00
Material - Body - Carbon steel-zinc plated, Ball -	PTFE composite material

SIJK22C Bearing 2D drawings and 3D CAD models



Huaxin Bearing Co., Ltd

Hardened chrome steel- chrome plated, Liner	
--	--