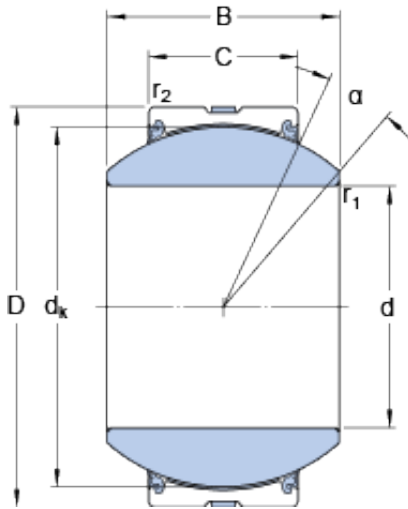




Huaxin Bearing Co., Ltd



GEH 90 TXG3A-2LS Bearing 2D drawings and 3D CAD models

90 mm x 150 mm x 85 mm SKF GEH 90 TXG3A-2LS plain bearings

Bearing No. GEH 90 TXG3A-2LS

Size	150x90x85 mm
Bore Diameter	150 mm
Outer Diameter	90 mm
Width	85 mm
d	90 mm
D	150 mm
B	85 mm
C	55 mm
	15 °
d _k	130 mm
r ₁ - min.	1 mm
r ₂ - min.	1 mm
d _a - min.	98.3 mm
d _a - max.	98.3 mm
D _a - min.	131 mm
D _a - max.	144 mm
r _a - max.	1 mm
r _b - max.	1 mm
Basic dynamic load rating - C	1730 kN
Basic static load rating - C ₀	2850 kN
Specific factor dynamic load - K	300 N/mm ²
Specific factor static load - K ₀	500 N/mm ²
Lubricant	Maintenance free – dry



Huaxin Bearing Co., Ltd

	Lubrication
Design (sliding contact surface combination)	Steel/PTFE fabric
Sealing solution	Triple-lip seals
	15 °
d_k	130 mm
r_1 min.	1 mm
r_2 min.	1 mm
d_a min.	98.3 mm
d_a max.	98.3 mm
D_a min.	131 mm
D_a max.	144 mm
r_a max.	1 mm
r_b max.	1 mm
Basic dynamic load rating C	1730 kN
Basic static load rating C_0	2850 kN
Specific dynamic load factor K	300 N/mm ²
Specific static load factor K_0	500 N/mm ²
Mass plain bearing	5.4 kg