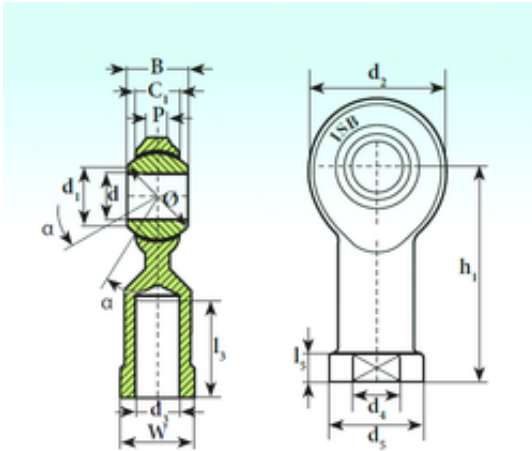




# Huaxin Bearing Co., Ltd



TFS.R 16.1 Bearing 2D drawings and 3D CAD models

## ISB TFS.R 16.1 plain bearings

Bearing No. TFS.R 16.1

Bore Diameter	16 mm
d	16 mm
B	21 mm
P	7,5 mm
d1	19,3 mm
d2	38 mm
d4	22 mm
h1	64 mm
l3 min.	33 mm
l5	8 mm
C1	13 mm
W	22 mm
	28,58 mm
Thread (G)	M16x1,5
Angle	15 °
d5	27 r/min
Weight	0,200 Kg