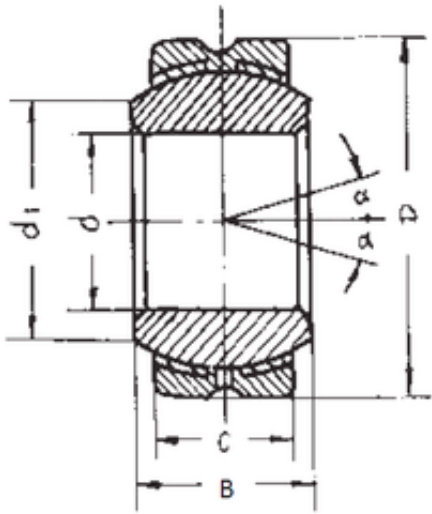




Huaxin Bearing Co., Ltd



30 mm x 66 mm x 37 mm FBJ GEBK30S plain bearings

Bearing No. GEBK30S

Size	30x66x37 mm
Bore Diameter	30 mm
Outer Diameter	66 mm
Width	37 mm
d	30 mm
D	66 mm
B	37 mm
C	25 mm
d1	34,8 mm
Angle	17 °
Weight	0,61 Kg
Basic dynamic load rating (C)	48 kN

GEBK30S Bearing 2D drawings and 3D CAD models