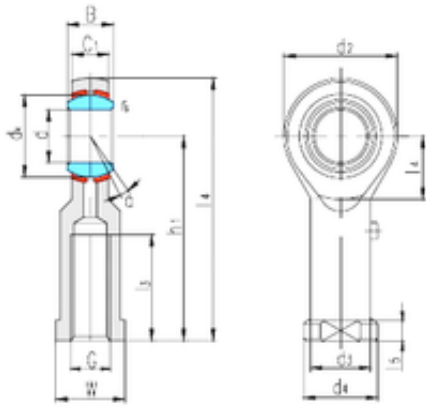




Huaxin Bearing Co., Ltd

LS SIBP5S plain bearings



SIBP5S Bearing 2D drawings and 3D CAD models

Bearing No. SIBP5S

Bore Diameter	5 mm
d	5 mm
B	8 mm
d2	16 mm
d3	9 mm
d4	11 mm
dk	11,112 mm
h1	27 mm
l3 min.	14 mm
l4 max.	35 mm
l5	4 mm
l7 min.	8 mm
r min.	0,3 mm
C1	6 mm
W	9 mm
Thread (G)	M5
Angle	13 °
Weight	0,016 Kg
Basic dynamic load rating (C)	3,3 kN