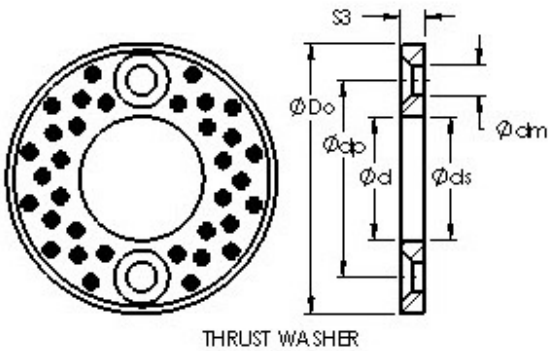




# Huaxin Bearing Co., Ltd



THRUST WASHER

## AST AST650 WC120 plain bearings

Bearing No. AST650 WC120

Bore Diameter	120 mm
Outer Diameter	200 mm
Bearing Type	thrust washer
Shaft Dia., Nominal (d)	120.0000
Bearing Outside Diameter, Nominal (Do)	200.000
Washer Inside Diameter, Nominal (di)	121
Washer Outside Diameter, Nominal (Do)	200
Washer Thickness Tolerance (S3 tol.) - +0 / -0.1	+0 / 0.1
Mounting Hole Dia. (dm)	11.000
Mounting Hole Pitch Dia. (dp)	175
Material	Cast bronze with solid lubricant inserts.

AST650 WC120 Bearing 2D drawings and 3D CAD models