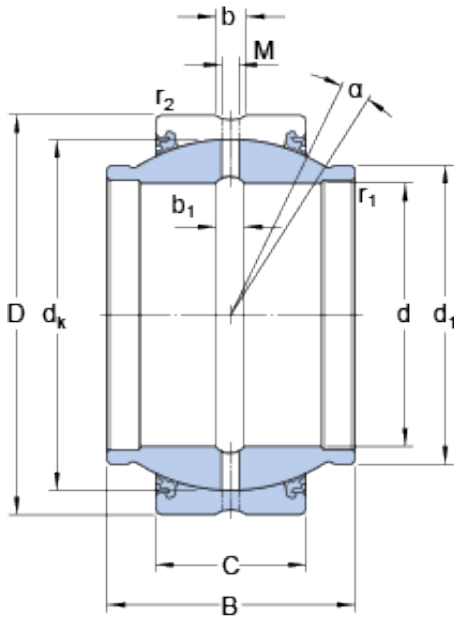




# Huaxin Bearing Co., Ltd

## 38.1 mm x 61.913 mm x 57.15 mm SKF GEZM 108 ESX-2LS plain bearings

Bearing No. GEZM 108 ESX-2LS



GEZM 108 ESX-2LS Bearing 2D drawings and 3D CAD models

|   |                      |
|---|----------------------|
| Size                                      | 61.913x38.1x57.15 mm |
| Bore Diameter                             | 61,913 mm            |
| Outer Diameter                            | 38,1 mm              |
| Width                                     | 57,15 mm             |
| d   | 38.1 mm              |
| D   | 61.913 mm            |
| B   | 57.15 mm             |
| C   | 28.575 mm            |
|   | 5 °                  |
| d <sub>k</sub>                            | 54.737 mm            |
| d <sub>1</sub>                            | 46.99 mm             |
| b   | 4.8 mm               |
| b <sub>1</sub>                            | 5 mm                 |
| M   | 4 mm                 |
| r <sub>1</sub> - min.                     | 1 mm                 |
| r <sub>2</sub> - min.                     | 1 mm                 |
| d <sub>a</sub> - min.                     | 43.3 mm              |
| d <sub>a</sub> - max.                     | 47 mm                |
| D <sub>a</sub> - min.                     | 52.3 mm              |
| D <sub>a</sub> - max.                     | 58 mm                |
| r <sub>a</sub> - max.                     | 1 mm                 |
| r <sub>b</sub> - max.                     | 1 mm                 |
| Basic dynamic load rating - C             | 186 kN               |
| Basic static load rating - C <sub>0</sub> | 375 kN               |



## Huaxin Bearing Co., Ltd

|  |                                     |
|--|-------------------------------------|
| Specific factor dynamic load - K             | 150 N/mm <sup>2</sup>               |
| Specific factor static load - K <sub>0</sub> | 300 N/mm <sup>2</sup>               |
| Constant - K <sub>M</sub>                    | 330                                 |
| Lubricant                                    | Maintenance free – greased for life |
| Design (sliding contact surface combination) | Steel/steel                         |
| Sealing solution                             | Triple-lip seals                    |
|  | 5 °                                 |
| d <sub>k</sub>                               | 54.737 mm                           |
| d <sub>1</sub>                               | 46.99 mm                            |
| b <sub>1</sub>                               | 5 mm                                |
| r <sub>1</sub> min.                          | 1 mm                                |
| r <sub>2</sub> min.                          | 1 mm                                |
| d <sub>a</sub> min.                          | 43.3 mm                             |
| d <sub>a</sub> max.                          | 47 mm                               |
| D <sub>a</sub> min.                          | 52.3 mm                             |
| D <sub>a</sub> max.                          | 58 mm                               |
| r <sub>a</sub> max.                          | 1 mm                                |
| r <sub>b</sub> max.                          | 1 mm                                |
| Basic dynamic load rating C                  | 186 kN                              |
| Basic static load rating C <sub>0</sub>      | 375 kN                              |
| Specific dynamic load factor K               | 150 N/mm <sup>2</sup>               |
| Specific static load factor K <sub>0</sub>   | 300 N/mm <sup>2</sup>               |
| Material constant K <sub>M</sub>             | 330                                 |
| Mass plain bearing                           | 0.51 kg                             |