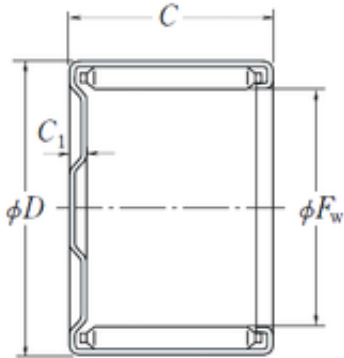




# Huaxin Bearing Co., Ltd

## NSK MF-3016 needle roller bearings



Bearing No. MF-3016

Size	30x37x16 mm
Bore Diameter	30 mm
Outer Diameter	37 mm
Width	16 mm
Fw	30 mm
D	37 mm
C	16 mm
C1	2,5 mm
Weight	0,04 Kg
Basic dynamic load rating (C)	22,1 kN
(Grease) Lubrication Speed	2400 r/min
NB-DI	0
NA-DEX	0
hidYobi	MF-3016
LangID	1
D_	37
NC-SLR	0
B_	16
hidTable	ecat_NSDCNR
GRS rpm	2400
NC-SLR1	0
C0	44.129
Prod_Type3	NRB_DC_F-MF_FC_CT
d	30
NC-RAC	0
Pmax	18900

MF-3016 Bearing 2D drawings and 3D CAD models



## Huaxin Bearing Co., Ltd

N-SDM	0
yobi	MF-3016
C1_C2	2.5
ND-Z	0
OIL rpm	3800
NC-DA	0
mass_i	40
NC-KMS	0