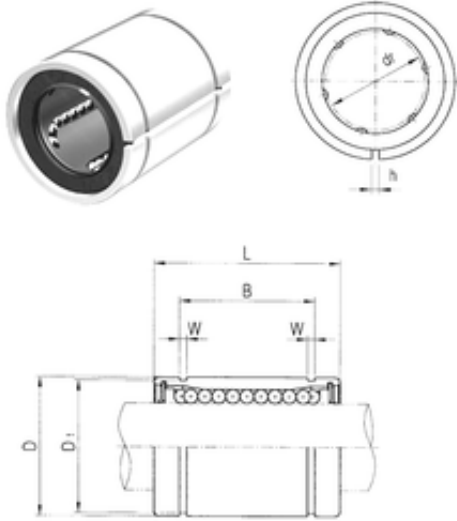




Huaxin Bearing Co., Ltd



50 mm x 75 mm x 77,6 mm Samick LME50AJ
linear bearings

Bearing No. LME50AJ

Size	50x75x77.6 mm
Bore Diameter	50 mm
Outer Diameter	75 mm
Width	77,6 mm
d	50 mm
D	75 mm
h	3 mm
B	77,6 mm
D1	72 mm
L	100 mm
W	2,65 mm
Weight	1,13 Kg
Basic dynamic load rating (C)	3,82 kN

LME50AJ Bearing 2D drawings and 3D CAD models