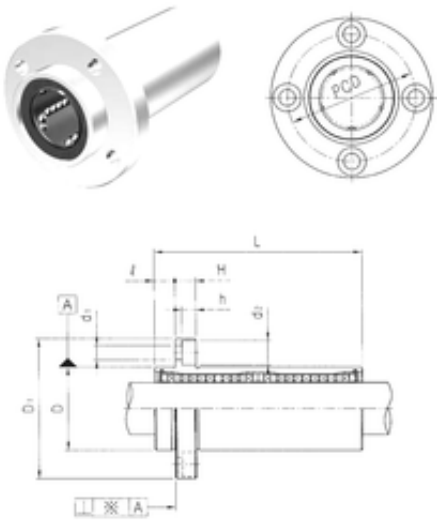




Huaxin Bearing Co., Ltd



LMFP35LUU Bearing 2D drawings and 3D CAD models

Samick LMFP35LUU linear bearings

Bearing No. LMFP35LUU

Bore Diameter	35 mm
Outer Diameter	52 mm
d	35 mm
D	52 mm
d1	6,6 mm
d2	11 mm
h	6,5 mm
D1	82 mm
H	10 mm
L	135 mm
PCD	67 mm
	10 Tolerance h14
Tolerance perpendicularity (C)	25
Weight	0,97 Kg
Basic dynamic load rating (C)	2,65 kN