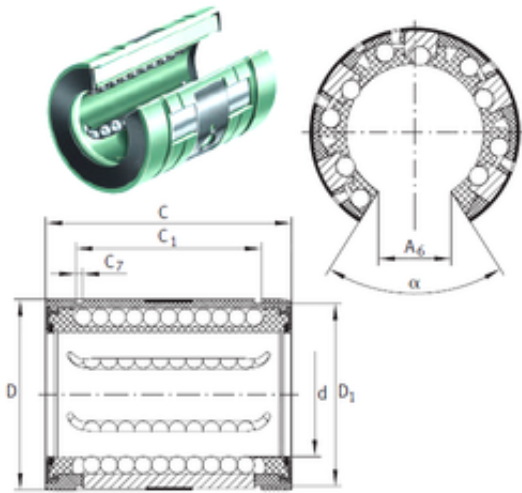




Huaxin Bearing Co., Ltd

INA KNO40-B linear bearings

Bearing No. KNO40-B



KNO40-B Bearing 2D drawings and 3D CAD models

Size	40x62x80 mm
Bore Diameter	40 mm
Outer Diameter	62 mm
Width	80 mm
d	40 mm
D	62 mm
C	80 mm
A6	19 mm
H9	2,2 mm
H10	1,5 mm
K4	3 mm
b1	3 mm
Angle	56 °