

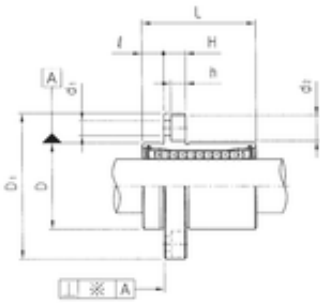


Huaxin Bearing Co., Ltd



Samick LMFP20UU linear bearings

Bearing No. LMFP20UU



LMFP20UU Bearing 2D drawings and 3D CAD models

Bore Diameter	20 mm
Outer Diameter	32 mm
d	20 mm
D	32 mm
d1	5,5 mm
d2	9,5 mm
h	5,4 mm
D1	54 mm
H	8 mm
L	42 mm
PCD	43 mm
	8 Tolerance h14
Tolerance perpendicularity (C)	15
Weight	0,18 Kg
Basic dynamic load rating (C)	0,86 kN