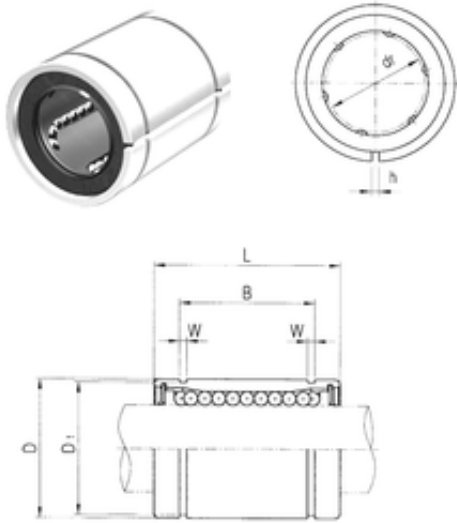




Huaxin Bearing Co., Ltd



12 mm x 22 mm x 22,9 mm Samick
LME12UUAJ linear bearings

Bearing No. LME12UUAJ

Size	12x22x22.9 mm
Bore Diameter	12 mm
Outer Diameter	22 mm
Width	22,9 mm
d	12 mm
D	22 mm
h	1,5 mm
B	22,9 mm
D1	21 mm
L	32 mm
W	1,3 mm
Weight	0,041 Kg
Basic dynamic load rating (C)	0,41 kN

LME12UUAJ Bearing 2D drawings and 3D CAD models