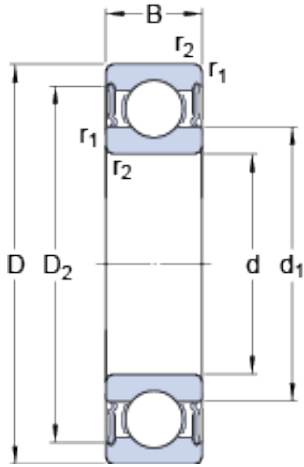




# Huaxin Bearing Co., Ltd



## 25 mm x 37 mm x 10 mm SKF W 63805-2RS1 deep groove ball bearings

Bearing No. W 63805-2RS1

W 63805-2RS1 Bearing 2D drawings and 3D CAD models

Size	37x25x10 mm
Bore Diameter	37 mm
Outer Diameter	25 mm
Width	10 mm
d	25 mm
D	37 mm
B	10 mm
d <sub>1</sub>	28.2 mm
D <sub>2</sub>	34.12 mm
r <sub>1,2</sub> - min.	0.3 mm
d <sub>a</sub> - min.	27 mm
d <sub>a</sub> - max.	28 mm
D <sub>a</sub> - max.	35 mm
r <sub>a</sub> - max.	0.3 mm
Basic dynamic load rating - C	3.9 kN
Basic static load rating - C <sub>0</sub>	2.6 kN
Fatigue load limit - P <sub>u</sub>	0.108 kN
Limiting speed	11000 r/min
Calculation factor - k <sub>r</sub>	0.02
Calculation factor - f <sub>0</sub>	13.7
d <sub>1</sub>	28.2 mm
D <sub>2</sub>	34.12 mm
r <sub>1,2</sub> min.	0.3 mm
d <sub>a</sub> min.	27 mm



## Huaxin Bearing Co., Ltd

$d_a$ max.	28 mm
$D_a$ max.	35 mm
$r_a$ max.	0.3 mm
Basic dynamic load rating C	3.38 kN
Basic static load rating $C_0$	2.5 kN
Fatigue load limit $P_u$	0.108 kN
Calculation factor $k_r$	0.02
Calculation factor $f_0$	13.7
Mass bearing	0.03 kg