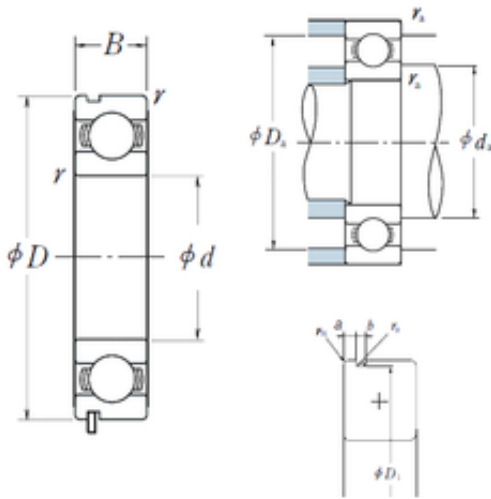




Huaxin Bearing Co., Ltd

80 mm x 170 mm x 39 mm NSK 6316N deep groove ball bearings

Bearing No. 6316N



6316N Bearing 2D drawings and 3D CAD models

Size	80x170x39 mm
Bore Diameter	80 mm
Outer Diameter	170 mm
Width	39 mm
d	80 mm
D	170 mm
B	39 mm
C	39 mm
rn	0,5 mm
a	5,69 mm
b	3,5 mm
r min.	2,1 mm
r0 max.	0,6 mm
D1	163,65 mm
da min.	91 mm
da max	104,5 mm
Da max.	159 mm
ra max.	2 mm
Weight	3,67 Kg
Basic dynamic load rating (C)	123 kN
Basic static load rating (C0)	86,5 kN
(Grease) Lubrication Speed	4 000 r/min
(Oil) Lubrication Speed	4 800 r/min
SRI	14.79
hidYobi	6316N



Huaxin Bearing Co., Ltd

LangID	1
ro	0.6
D_	170
SREX	0.05
B_	39
da min	91
hidTable	ecat_NSRDGB
Oil rpm	4800
SRE	14.79
mass	3.67
GRS rpm	4000
ra	2
SRIX	0.05
D_a	159
SRIN	-0.05
C0	86.5
fo	13.3
SREN	-0.05
DE_	153.575
Prod_Type3	DGBB_SR_N_OT
DA_	28.575
bomp	0
Z_	8
yobi	6316N
C_conv	123000
ALPHA_	0
SDM_	125
r	2.1
KBRG	6101
SBRG	3
DI_	96.425