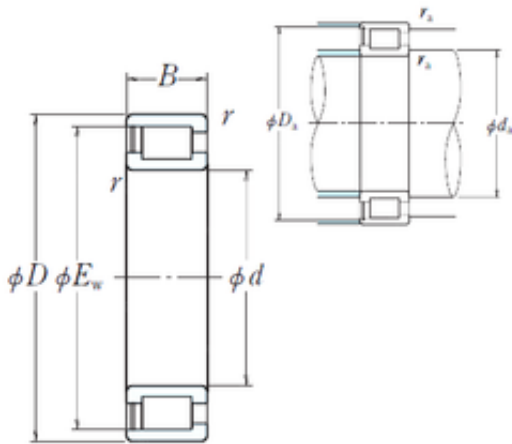




Huaxin Bearing Co., Ltd

170 mm x 215 mm x 22 mm NSK NCF1834V cylindrical roller bearings

Bearing No. NCF1834V



NCF1834V Bearing 2D drawings and 3D CAD models

Size	170x203.5x22 mm
Bore Diameter	170 mm
Outer Diameter	203,5 mm
Width	22 mm
d	170 mm
D	215 mm
Ew	203,5 mm
B	22 mm
C	22 mm
r min.	1,5 mm
Da	204 mm
ra max.	1,5 mm
da	182 mm
Weight	1,8 Kg
Basic dynamic load rating (C)	149 kN