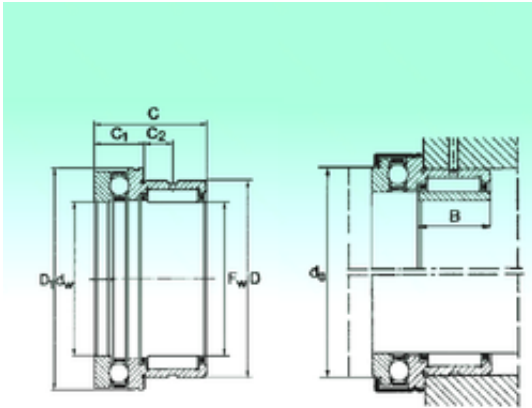




Huaxin Bearing Co., Ltd



NKX 25 Bearing 2D drawings and 3D CAD models

NBS NKX 25 complex bearings

Bearing No. NKX 25

Size	25x37x30 mm
Bore Diameter	25 mm
Outer Diameter	37 mm
Width	30 mm
d	25 mm
Fw	25 mm
D	37 mm
C	30 mm
C1	11 mm
D1	42,1 mm
D2	43,2 mm
C2	9,5 mm
da	37,7 mm
Weight	0,125 Kg
Dynamic load rating radial (C)	17 kN
Dynamic load rating axial (C)	18 kN
Static load rating radial (C0)	30 kN
Static load rating axial (C0)	35 kN