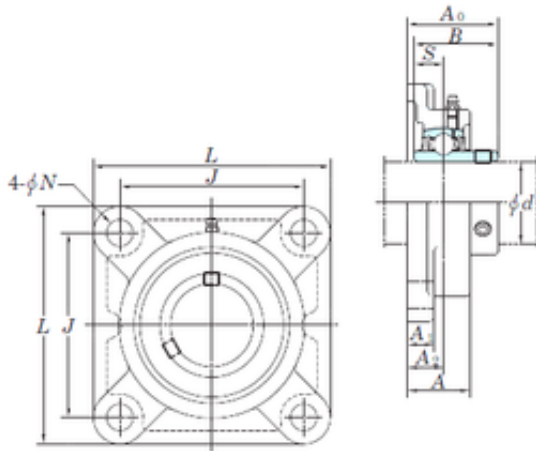




Huaxin Bearing Co., Ltd

KOYO UCF212 bearing units



Bearing No. UCF212

| | |
|-------------------------------|---------|
| Bore Diameter | 60 mm |
| d | 60 mm |
| A0 | 68,7 mm |
| A | 48 mm |
| A1 | 18 mm |
| B | 65,1 mm |
| J | 143 mm |
| L | 175 mm |
| N | 19 mm |
| S | 25,4 mm |
| Bolt (G) | M16 |
| A2 | 29 mm |
| Weight | 4,2 Kg |
| Basic dynamic load rating (C) | 52,4 kN |
| Basic static load rating (C0) | 36,2 kN |
| Bearing No. | UCF212 |
| Bolt size | M16 |
| Cr | 52.4 |
| C0r | 36.2 |
| f0 | 14.4 |
| (Refer.)Unit mass(kg) | 4.2 |
| Nipple size | R1/8 |

UCF212 Bearing 2D drawings and 3D CAD models