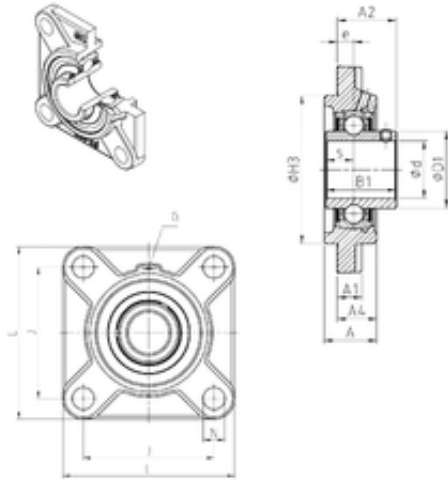




Huaxin Bearing Co., Ltd



SNR UCFS324 bearing units

Bearing No. UCFS324

Bore Diameter	120 mm
d	120 mm
H3	330 mm
A4	80 mm
e	35 mm
s	51 mm
A	110 mm
A1	40 mm
B1	126 mm
D1	163 mm
J	290 mm
L	370 mm
N	41 mm
Thread (G)	M10x1
A2	110 mm
Weight	51,7 Kg
Basic dynamic load rating (C)	228 kN

UCFS324 Bearing 2D drawings and 3D CAD models