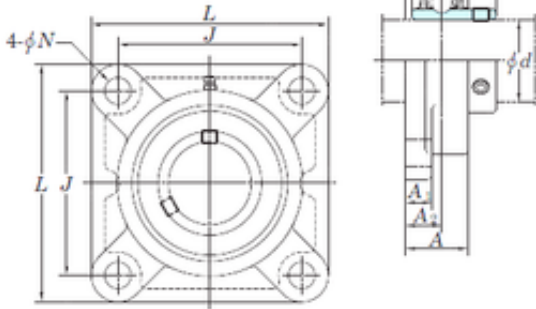




Huaxin Bearing Co., Ltd

KOYO UCF313-40 bearing units

Bearing No. UCF313-40



UCF313-40 Bearing 2D drawings and 3D CAD models

Bore Diameter	63,5 mm
d	63,5 mm
A0	78 mm
A	58 mm
A1	22 mm
B	75 mm
J	166 mm
L	208 mm
N	23 mm
S	30 mm
Bolt (G)	M20
A2	33 mm
Weight	7,8 Kg
Basic dynamic load rating (C)	92,7 kN
Basic static load rating (C0)	59,9 kN