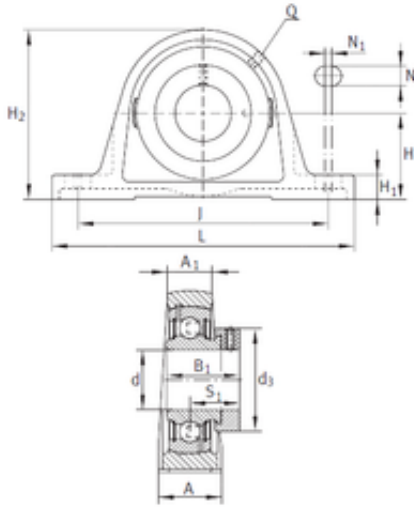




# Huaxin Bearing Co., Ltd



## INA PAK1-3/16 bearing units

Bearing No. PAK1-3/16

Bore Diameter	30,163 mm
d	30,163 mm
S1	26,797 mm
Thread (Q)	1/8 NPT
d3	43,993 mm
A	41,504 mm
A1	26,01 mm
B	35,789 mm
H	39,701 mm
H1	16,993 mm
H2	80,493 mm
J	117,247 mm
L	157,15 mm
N	15,012 mm
N1	8,459 mm

PAK1-3/16 Bearing 2D drawings and 3D CAD models