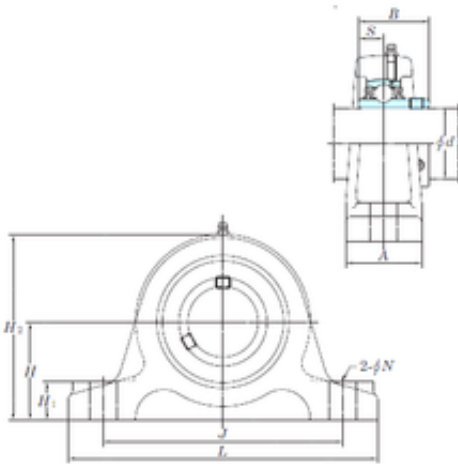




Huaxin Bearing Co., Ltd

KOYO UCIP208 bearing units

Bearing No. UCIP208



UCIP208 Bearing 2D drawings and 3D CAD models

Bore Diameter	40 mm
Width	49,2 mm
d	40 mm
A	60 mm
B	49,2 mm
H	60 mm
H1	25 mm
H2	115 mm
J	150 mm
L	200 mm
N	19 mm
S	19 mm
Bolt (G)	M16
Weight	3,4 Kg
Basic dynamic load rating (C)	29,1 kN
Basic static load rating (C0)	17,8 kN
Bearing No.	UCIP208
Bolt size	M16
Cr	29.1
C0r	17.8
f0	14.0
(Refer.) Unit mass(kg)	3.4
Nipple size	1/4-28UNF