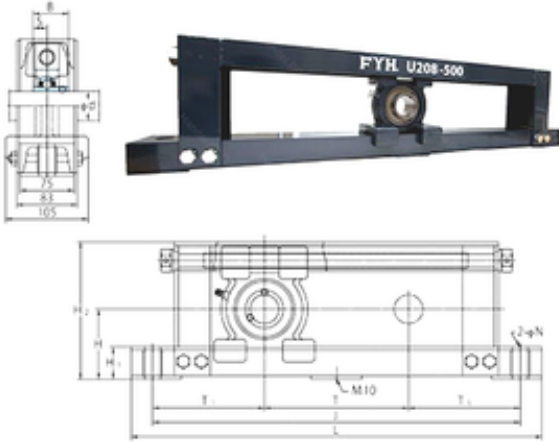




Huaxin Bearing Co., Ltd

FYH UCTU315-800 bearing units

Bearing No. UCTU315-800



UCTU315-800 Bearing 2D drawings and 3D CAD models

| | |
|-------------------------------|---------|
| Bore Diameter | 75 mm |
| Width | 82 mm |
| d | 75 mm |
| T1 | 210 mm |
| B | 82 mm |
| H | 155 mm |
| H1 | 55 mm |
| H2 | 305 mm |
| J | 1220 mm |
| L | 1280 mm |
| N | 22 mm |
| S | 32 mm |
| T | 800 mm |
| Bolt (G) | M18 |
| Weight | 61 Kg |
| Basic dynamic load rating (C) | 113 kN |
| Basic static load rating (C0) | 77,2 kN |