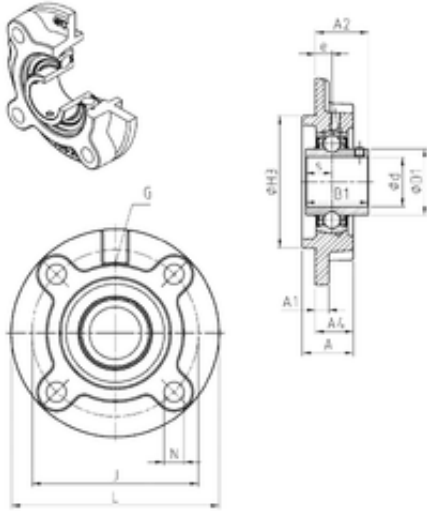




Huaxin Bearing Co., Ltd



SNR UCFC204 bearing units

Bearing No. UCFC204

Bore Diameter	20 mm
d	20 mm
H3	62 mm
A4	20,5 mm
e	10 mm
s	12,7 mm
A	25,5 mm
A1	6 mm
B1	31 mm
D1	29 mm
J	78 mm
L	100 mm
N	12 mm
Thread (G)	M6x1
A2	28,3 mm
Weight	0,6 Kg
Basic dynamic load rating (C)	12,8 kN

UCFC204 Bearing 2D drawings and 3D CAD models