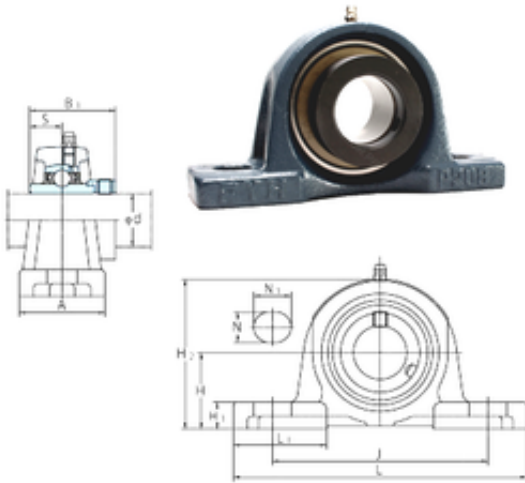




Huaxin Bearing Co., Ltd

FYH NAP214-44 bearing units



Bearing No. NAP214-44

Bore Diameter	69,85 mm
Width	79,4 mm
d	69,85 mm
A	72 mm
B1	85,7 mm
H	79,4 mm
H1	28 mm
H2	156 mm
J	210 mm
L	266 mm
L1	78 mm
N	25 mm
N1	30 mm
S	34,1 mm
Bolt (G)	M20
Weight	7,7 Kg
Basic dynamic load rating (C)	62,2 kN

NAP214-44 Bearing 2D drawings and 3D CAD models