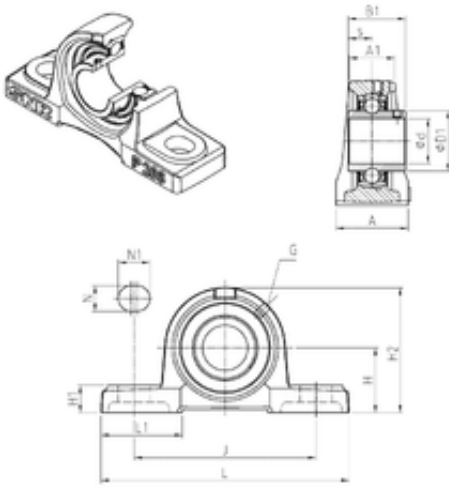




# Huaxin Bearing Co., Ltd



## SNR UCP305 bearing units

Bearing No. UCP305

Bore Diameter	25 mm
d	25 mm
s	15 mm
A	45 mm
A1	32 mm
B1	38 mm
D1	35,4 mm
H	45 mm
H1	15 mm
H2	85 mm
J	132 mm
L	175 mm
L1	54 mm
N	17 mm
N1	20 mm
Thread (G)	M6x1
Weight	1,4 Kg
Basic dynamic load rating (C)	22,36 kN

UCP305 Bearing 2D drawings and 3D CAD models