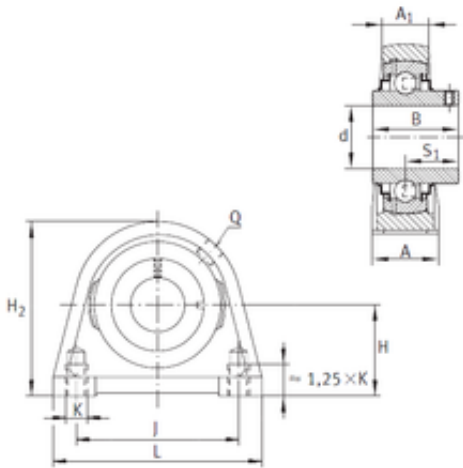




Huaxin Bearing Co., Ltd



RSHEY45 Bearing 2D drawings and 3D CAD models

INA RSHEY45 bearing units

Bearing No. RSHEY45

Bore Diameter	45 mm
d	45 mm
Thread (Q)	Rp1/8
Thread (K)	M12
A	48 mm
A1	32 mm
B	49,2 mm
H	54 mm
H2	107 mm
J	95,3 mm
L	120 mm
S	30,5 mm
Weight	2,15 Kg
Basic dynamic load rating (C)	32,5 kN
Category	Pillow Block Bearings
Inventory	0.0
Manufacturer Name	SCHAEFFLER GROUP
Minimum Buy Quantity	N/A
Weight / Kilogram	2.37
EAN	4012802806489
Product Group	M06110
Number of Mounting Holes	2
Mounting Method	Set Screw
Housing Style	2 Bolt Tap Base Pillow Block
Rolling Element	Ball Bearing
Housing Material	Cast Iron



Huaxin Bearing Co., Ltd

Expansion / Non-expansion	Non-expansion
Mounting Bolts	12 Millimeter
Relubricatable	Yes
Insert Part Number	GYE45KRRB
Seals	Double Land Riding Rubber Contact
Housing Configuration	1 Piece Solid
Inch - Metric	Metric
Other Features	Single Row With Grub Screw
Long Description	2 Bolt Tap Base Pillow Block; 45MM Bore; 54MM Base to Center Height; Set Screw Mount; Ball Bearing; Relubricatable; Cast Iron; Double Land Riding Rubber Contact; Non-expansion
Category	Pillow Block
UNSPSC	31171511
Harmonized Tariff Code	8483.20.40.40
Noun	Bearing
Keyword String	Pillow Block
Manufacturer URL	http://www.ina.com
Manufacturer Item Number	RSHEY45
Weight / LBS	5.226
Base to Center Height	2.126 Inch 54 Millimeter
Bore	1.772 Inch 45 Millimeter
Bolt Spacing Minimum	0 Inch 0Millimeter
Length Thru Bore	1.937 Inch 49.2 Millimeter
Actual Bolt Center to Center	3.8 Inch 96Millimeter
Bolt Spacing Maximum	0 Inch 0Millimeter
Nominal Bolt Center to Center	3.8 Inch 97 Millimeter