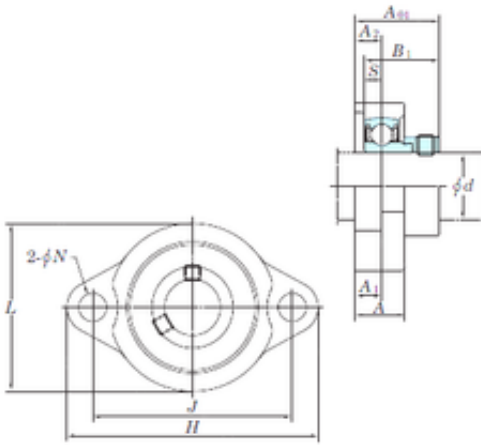




Huaxin Bearing Co., Ltd

KOYO ALF205 bearing units

Bearing No. ALF205



ALF205 Bearing 2D drawings and 3D CAD models

Bore Diameter	25 mm
d	25 mm
A0	34 mm
A	20 mm
A1	11 mm
B1	30,5 mm
H	95 mm
J	76 mm
L	64 mm
N	10 mm
S	7,5 mm
Bolt (G)	M8
A2	11 mm
Weight	0,42 Kg
Basic dynamic load rating (C)	14 kN
Basic static load rating (C0)	7,85 kN