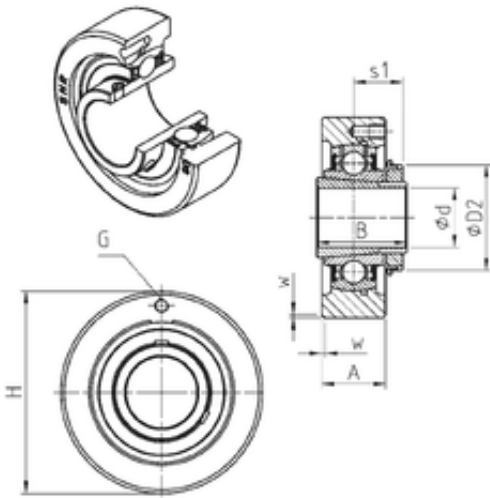




Huaxin Bearing Co., Ltd

SNR UKC312H bearing units

Bearing No. UKC312H



UKC312H Bearing 2D drawings and 3D CAD models

Bore Diameter	55 mm
Width	62 mm
d	55 mm
s1	36,5 mm
A	46 mm
B	62 mm
D2	80 mm
H	160 mm
W	3,5 mm
Thread (G)	M6x1
Weight	4,6 Kg
Basic dynamic load rating (C)	81,6 kN
A3	3.5 mm
A5	36.5 mm
B1	62 mm
d1	80 mm
G	M6x1
C	81.6 kN
C0	51.8 kN
T min.	-20 ° C
T max.	100 ° C
Adapter sleeve reference	H2312
Designation of housing	C312-
Designation of bearing	UK312G2H