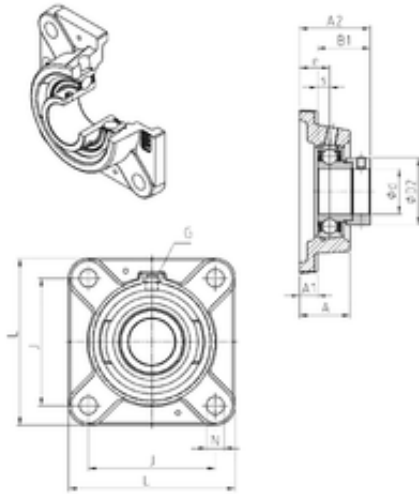




# Huaxin Bearing Co., Ltd

## SNR ESFE211 bearing units

Bearing No. ESFE211



ESFE211 Bearing 2D drawings and 3D CAD models

Bore Diameter	55 mm
d	55 mm
e	31 mm
s	12 mm
A	48,5 mm
A1	15 mm
B1	48,4 mm
D2	76,2 mm
J	130 mm
L	162 mm
N	18 mm
Thread (G)	R1/8"
A2	67,4 mm
Weight	3,4 Kg
Basic dynamic load rating (C)	43,55 kN